

OTIS

OI-4375L LED Light

Hazardous Location Warning Light

The TOMAR 4375L offers steady-burn and single or double flash mode in a single unit. The operating modes can be easily configured with either internal DIP switch or external wire selection. Features lens optics coupled with an LED array with light output which rivals that of a strobe. Water tight, dust tight, corrosive resistant, and can be operated in any orientation.



Product Features

- 100,00 Hours LED
- 6 Lens Colors: Amber, Red, Clear, Blue, Green, Purple
- Operating Temperature Range of -67°F to 151°F (-55°C to 66°C)
- Available Lens Guard
- Operating Modes Configured with Internal DIP Switch or External Wire Selection
- UL Listed, CSA Certified, NEMA 4X Rated, Constructed to IP66
- UL 1598 Impact Resistant Poly-Carbonate Lens
- Water Tight, Dust Tight, Corrosive Resistant
- Features a 3/4" ISP Pendant Mount
- 5-Year Warranty

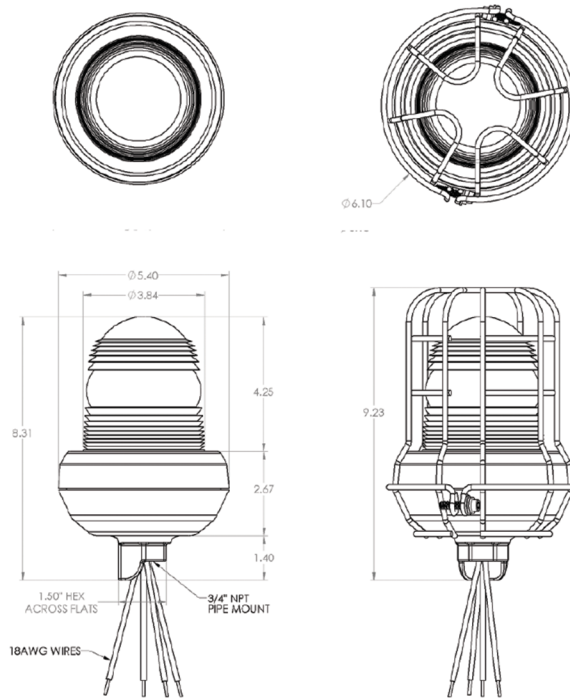


301 S. Texas Avenue
Bryan, Texas 77803
P: 979-776-7700

sales@otisinstruments.com

OI-4375L Product Specifications

Product Specifications	
Lamp Type	LED Array
Flash Rate	80 FPM (Single Flash), 40 FPM (Double Flash), Steady on Mode
Tamb Temperature Range	-67°F to 151°F (-55°C to 66°C)
Voltage and Amperage	Steady Mode: 24 VDC 500 mA, 120 VAC 180 mA, 240 VAC 120 mA Single Flash: 370 mA, 130 mA, 110 mA Double Flash: 400 mA, 100 mA, 80 mA
Inrush Current	1.75 Amps @ 24 VDC 2.0 Amps @ 120 VAC
Optional Accessories	4375 Guard: Optional Lens Guard
Dimensions	0.5 H x 5.4 W in.
Weight	3.2 lbs.
Certifications & Approvals	Class I, Division 2, Groups A, B, C & D Class II, Division 2, Groups F & G Class III NEMA 4X UL 1598 Impact Resistant Poly-Carbonate Lens



Manufactured By:

TOMAR Electronics, Inc.
2100 W. Obispo Ave.
Gilbert, AZ 85233 USA
Phone: (800) 338-3133
www.tomar.com

